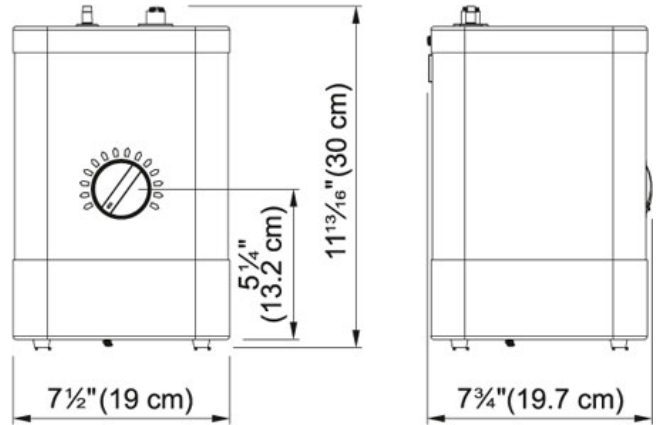


HT-400 | 119.0596.202

FAMILY : Point of Use and Filtration | FINISH : other | SERIES : Little Butler | FAMILY : Kitchen solutions | MODEL : HT-400



Save time and water by eliminating the wait for hot water to reach the faucet. Franke HT-400 Little Butler heating tank fits under your sink to provide precise, instant hot water between 176°F to 208°F right when you need it.

#### Features

- 7 preset temperatures with backlit dial
- Control temperature from 176°F to 208°F
- Accurate temperature control within +/- 1.0°F
- 1100 W heating element provides a fast recovery
- Produces up to 60 cups of hot water per hour
- Water level sensor and dual temperature sensors prevent the tank from starting up dry
- Encased heating element eliminates direct contact with water, preventing mineral build up
- Stainless steel internal tank
- **Industry leading 5 year warranty**

---

#### TECHNICAL DATA

---

FAMILY : Point of Use and Filtration | FINISH : other | SERIES : Little Butler | FAMILY : Kitchen solutions | MODEL : HT-400

SUGGESTED PRODUCTS

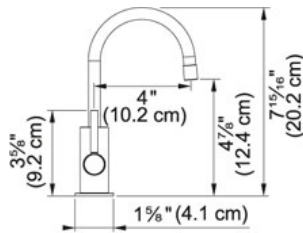


119.0355.521

119.0504.392

119.0355.533

119.0504.318



119.0504.396

119.0525.565

119.0355.509